



HYDRO FIL®
Filter cartridge
Type: KF

Application

Filter cartridge HYDRO FIL® KF suitable for the filtration of drinking-, industrial- and well water and used to protect the pipes and subsequent systems against corrosion damage and malfunction. Unsolved water substances and contamination such as sand or rust particles can be kept back.

An optimum adaption to the water substances is guaranteed by selecting filter cartridges with suitable mesh size.

Design

The filter cartridge consists of stainless steel filter housing and is equipped with cartridges with respective mesh size suited for water treatment.

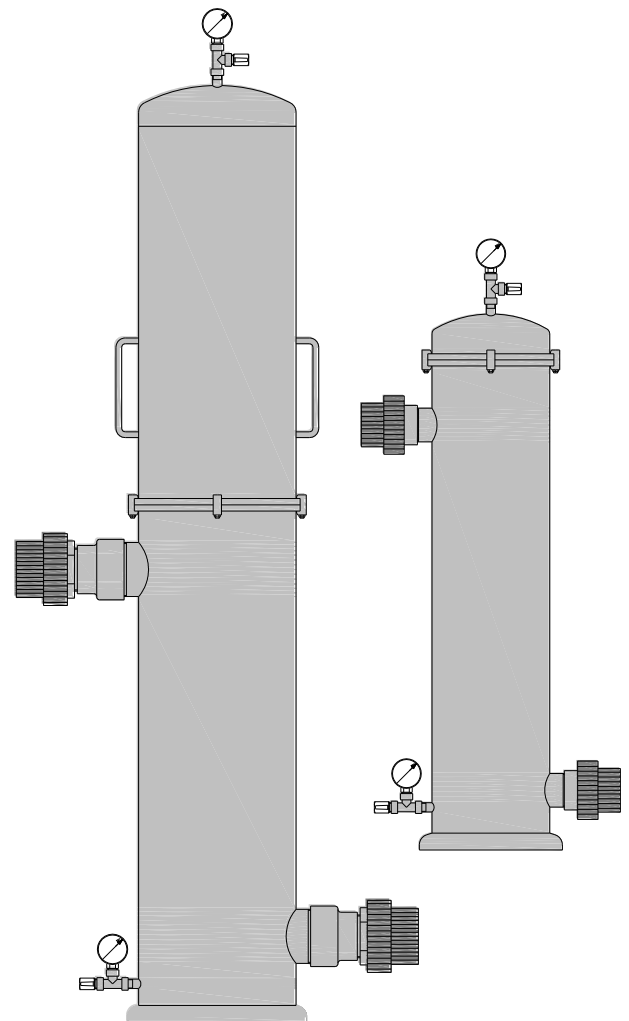
The water to be filtered gets inside the casing passing the input nozzle and flows through the cartridges from outside to inside, leaving the filter purified through the outlet. Foreign particles are kept back on the outside of the filter cartridge.

The filter is equipped with a removable filter head, to replace cartridges easily. The local mains water supply can be connected easily to the in- and outlet of the filter. Ventilation valves support a service friendly replacement of filter cartridges and enable an optimal commissioning

The filter has to be installed upright in the local pipe. The connections on in- and outlet of the filter are designed as screwing with adhesive union.

The pressure conditions can be controlled at the pressure gauges in the in- and outlet.

Should the pressure drop of ca. 0.8 bar be recorded, the filter cartridge must be replaced. Such replacement is necessary after 6 months at the latest.



Scope of delivery

HYDRO FIL® filter cartridge consisting of:

- 1 x Stainless steel filter housing
- 1 x Ventilation valve on filter head
- 1 x Drain valve
- 2 x Pressure gauge (inlet / outlet)
- 2 x Stainless steel screw connection (inlet / outlet)
- 2 x Connection (for local pipe) with PVC adhesive union
(see table for nominal width)

Filter cartridges – size, fineness and quantity according to filter size (see table technical data)

1 x Manual

Note / Installation conditions

- Technical data and general technical standards as well as the local installation conditions are to be observed
- Installation of filter cartridge according to DIN 1988 part 2.
- The ambient temperature and possibly the radiation heat may not exceed 40°C.
- The place of installation has to be frost free.
- The installation site has to be free from solvent, color, lacquer, and chemical fumes.
- Note flow direction by installation. There may not act any tensile-, pressure-, or torsional forces to the in- or outlet connections.
- Free access to the unit must be ensured.

Technical Data

HYDRO FIL [®]		KF 3.0	KF 5.0	KF 7.0
Connection input / output (adhesive union)		DN 40	DN 50	DN 50
Nominal pressure		PN 10		
Operating pressure	bar	2.5 - 8		
Water-/ ambient temperature	°C	30 / 40		
Mesh size	µm	5 / 20 / 50		
Flow capacity	l/h	1500 - 7000	9000 - 13000	17000 - 20000
Filter cartridge (height)		20"	40"	40"
Number filter cartridges	pieces	3	5	7
Height H maximum	mm	870	1343	1410
Height H1	mm	605	598	630
Height H2	mm	85	78	120
Height H2	mm	520	520	510
Width B	mm	370 ± 10	440 ± 10	560 ± 10
Depth T max.	mm	210	260	260
Operating weight ca.	kg	35	87	89

Sizes Filter cartridge HYDRO FIL® KF

Example: HYDRO FIL® KF 3.0
(height of filter cartridge 20")

HYDRO FIL® KF 5.0 – 7.0
(height of filter cartridge 40")

