

## HYDRO FIL®

### Activated carbon filter cartridge

#### Type: AKF

### Application

Activated carbon filter cartridges are used for dechlorination of drinking water and for pre-treatment prior to a reverse osmosis unit.

The water to be filtered should preferably be free of mechanical pollutions.

Due to the surface reaction of the activated carbon with the still free activated chlorine in the drinking water, chloride is produced that does not charge the activated carbon. The chloride is discharged with the water. The surface reaction is subsequently reduced by the dirt particles in the water.

### Design

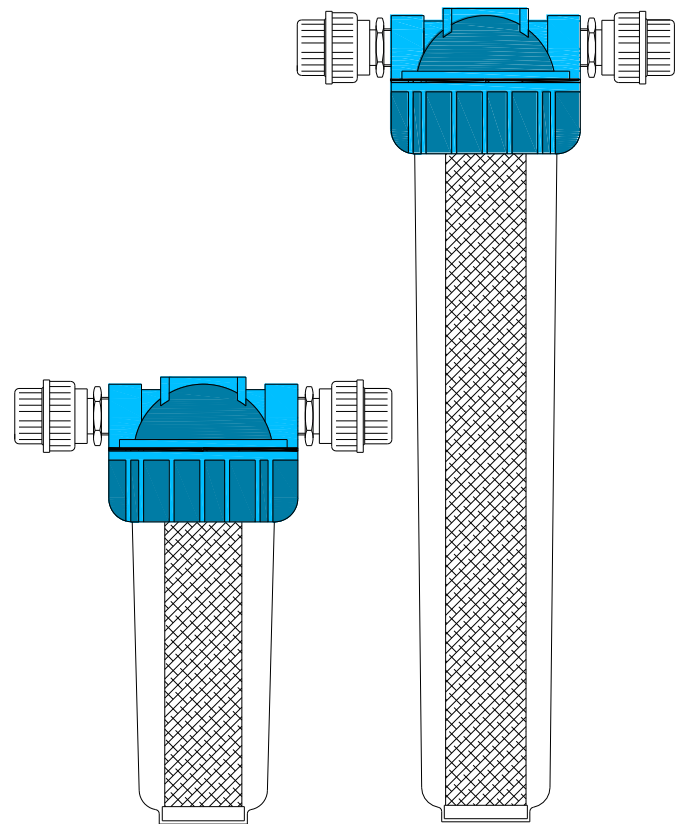
Activated carbon filter with one-way filter cartridge, suitable to use for water treatment, visual control thanks to transparent filter housing. The device is demountable for an easy cartridge replacement. The local mains water feed can be connected easily to the in- and outlet of the filter. A ventilation is provided in the filter head. Filter is only suitable for horizontal installation.

Should the residual chlorine contents exceed 0.05 mg/l after the activated carbon filter, the activated carbon cartridge must be replaced. Such replacement is necessary after 6 months at the latest.

### Scope of delivery

HYDRO FIL® activated carbon filter cartridge consists of:

- 1 x filter head out of PP (seals EPDM)
- 1 x ventilation valve on filter head of PP
- 2 x screwing of PVC-U (with adhesive union) DN 20
- 1 x transparent cylinder of SAN (styrene-acrylonitrile)
- 1 x activated carbon one-way filter cartridge (inner tube PP)
- 1 x internal pipe of PVC-U DN 20 (only AKF 1.0)
- 1 x manual



### Note / Installation conditions

- Technical data and general technical standards as well as the local installation conditions are to be observed
- Installation of activated carbon filter cartridge according to DIN 1988 part 2.
- The ambient temperature and possibly the radiation heat may not exceed 40°C.
- The place of installation has to be frost free.
- The installation site has to be free from solvent, color, lacquer, and chemical fumes.
- To avoid flushing of unwanted coarse materials, there has to be installed a fine filter generally.
- There may not act any tensile-, pressure-, or torsional forces to the in- or outlet connections.
- Free access to the unit must be ensured.



## Technical data

HYDRO FIL®		AKF 0.25	AKF 0.5	AKF 1.0
Connection (adhesive union)		DN 20		
Nominal pressure		PN 10		
Operating pressure	bar	2,5 – 8		
Water-/ ambient temperature	°C	30 / 40		
Mesh size	µm	10		
Flow capacity	m³/h	0,25	0,50	1,00
Filter cartridge (height)		10"	20"	2 x 20"
Installation length (incl. screwing)	mm	265 ± 10	265 ± 10	540 ± 10
Installation height (from pipe centre)	mm	287,5	543,5	543,5
Total height	mm	315	571	571
Installation depth (from pipe centre in-/ outlet))	mm	65	65	190
Installation depth (total)	mm	130	130	380
Weight ca.	kg	1,5	3,5	5

